



PATH FINDER

LED WALL LIGHT

The Pathfinder Wall Light belongs to ATG's line of space-efficient, design-conscious exterior LED luminaires. Customers have installed the Pathfinder on building perimeters, in stairways, tunnels, alleyways, walkways, overpasses, and parking garages. With high luminous efficacy and superior material design, ATG's fixture designs allow for complete package of electrical performance and attractive design.

CONSTRUCTION

The Pathfinder's housing is heavy-duty, extruded aluminum with integrated thermal management. The compact form factor allows for a wide range of use cases. The fixture is IP67 rated for excellent protection from the elements, and can operate in ambient temperatures of -40° to 40°C.

OPTICS

The Pathfinder luminaire is available in standard offerings of CCT 4000K and 5000K, with excellent performance over a broad band of application requirements.

The lens is tempered clear glass carefully fitted over a highly-polished white reflector. Output is tuned for a superior balance of performance and visual comfort.

ELECTRICAL

The Pathfinder is available in 30W and 60W models with a standard input voltage of 120-277V. Fixture lifespan is rated for 50,000 hours or greater, equivalent to 12 years of function at 12 hours per night. Sensors and controls can be easily added to extend longevity and facilitate smart functionality.

MOUNTING

The compact Pathfinder cylinder may be mounted over any 4" recessed outlet box for secure, reliable, illumination.

FINISH

The die-cast aluminum housing is shielded with polyester powder paint in an attractive black, bronze, white, or grey. The coating has been chosen for its toxin-free composition and superior resistance to external wear.

● Certified DLC 4.1 Standard

OPTIONS

1-10V Dimming with photocell or motion sensors

Knockout (KO) Functionality

Emergency Backup Battery

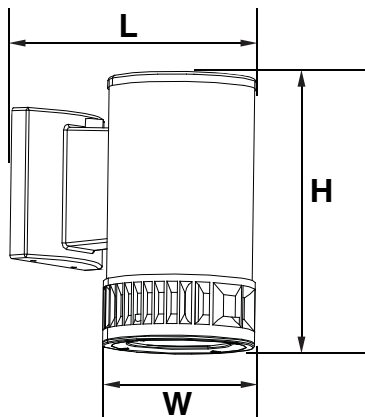
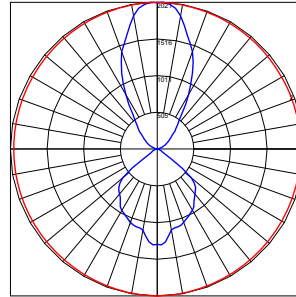
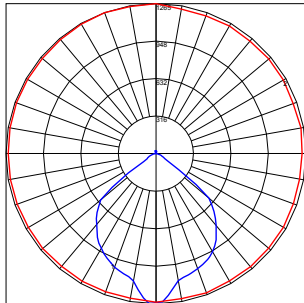




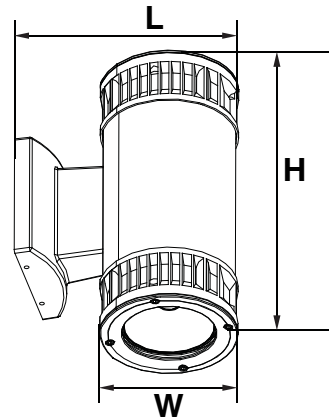
SAMPLE ORDER:WCTRSBC31X20U41KZSP

MODEL	OPTICS	NUMBER OF COBS	WATTAGE	BALLAST	CCT	COLOR	OPTIONS
WCTRS WCTRD	A=70, medium; B=100, Wide; C=70 Up/100 Down;D=30, Narrow; E=30 Up/100 Down	1X=1 2X=2	20=20W	U=120-277V	41K=4100K	Z=Bronze, B=Black	SF=Single Fuse, DF=Double Fuse, SP=Surge Protection

MODEL	WATTS(W)	INPUT VOLTAGE(VAC)	LUMENS/WATT(LM/W)	LUMENS(LM)	CRI	CCT (K)	L70 (HOURS)	DIMENSIONS (L*H*W) (INCHES)
WCTRS	20	120-277	115.4	2308	80+	4100	50,000	8.88*10.25*5.75
WCTRD	40	120-277	111.2	4,448	80+	4100	50,000	8.88*12.5*5.75



WCTRS



WCTRD