

# LUNERA MH LED

## LED Replacement for Metal Halide Lamps

[400W / 320W] or [250W / 175W] E39 Mogul Base, Horizontal Mount



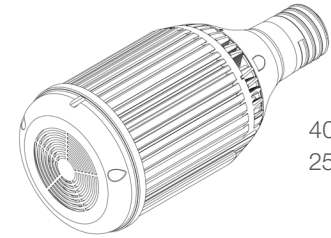
### Description

The LUNERA MH LED HORIZONTAL is a LED replacement for metal halide lamps with a Mogul (E39) base. The lamp replaces 400W~175W and delivers up to 13,100 lumens. It's ideal for wall pack and shoe box fixtures.

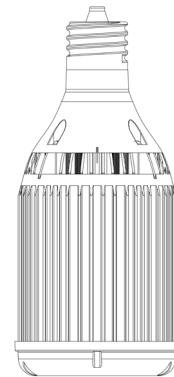
Lunera's BallastLED technology makes the lamp truly plug-and-play by allowing it to operate directly off of existing ballasts. Simply replace the existing MH lamp with the Lunera MH LED Horizontal without making any modifications to the fixture.

The Lunera MH LED Horizontal has a rated life of 50,000 hours – 5 times longer than that of MH lamps, which eliminates replacement cycles and reduces maintenance costs.

Available in a range of color temperatures including 3500K, 4000K and 5000K. The Lunera MH LED HORIZONTAL delivers consistent light levels across its long life, which results in a high quality lighting experience.



400W/320W  
250W/175W



400W/320W  
250W/175W

### Features

- Replaces 400W, 320W, 250W or 175W Metal Halide (MH) lamps
- Plug-and-play installation, with existing installed magnetic ballasts
- Ultra-low energy draw, extends existing magnetic ballast life
- Up to 13,100 lumens, fixture delivered light output
- 72W to 145W lamp power, yields 60%-80% energy savings
- >80 CRI
- CCT 3500K, 4000K and 5000K
- Thermal IQ to support ambient temperatures up to 150°F
- 50,000 hours to L70 lifespan



### Ordering Information

Example: SN-H-E39-400W-320W-4000-G2

Series	Version	Socket Type	Lamp Wattage Replaced	CCT	Generation
<b>SN:</b> Lunera HID LED	<b>H:</b> Horizontal	<b>E39:</b> Fits in mogul (E39) base MH socket	<b>400W/320W:</b> 400W (M59) / 320W (M132) <b>250W/175W:</b> 250W (M58) / 175W (M57)	<b>3500:</b> 3500K <b>4000:</b> 4000K <b>5000:</b> 5000K	<b>G2:</b> 2nd Generation

PROJECT	CONTACT	MODEL NO.
REFERENCE NO.	QUANTITY	DATE

## Product Specifications - Horizontal Mount Lamp - 400W / 320W Version

	Driven by 400W (M59) Ballast	Driven by 320W (M132) Ballast
<b>Illumination</b>		
Color Temperatures	3500K, 4000K, 5000K	3500K, 4000K, 5000K
Lumens	3500K: 12,000lm	3500K: 10,750lm
	4000K: 12,300lm	4000K: 11,000lm
	5000K: 13,100lm	5000K: 11,700lm
Color Consistency	Lunera TruColor proprietary process	Lunera TruColor proprietary process
Lumen Maintenance (L70)	50,000+ hours life	50,000+ hours life
<b>Electrical System</b>		
Input Voltage	Driven by magnetic MH ballast	Driven by magnetic MH ballast
Power Consumption	145W	120W
Lamp Wattage Replaced	400W	320W
<b>Physical</b>		
Dimensions (H x W)	9.4" x 8.3"	9.4" x 8.3"
Weight	2.5 lbs	2.5 lbs
Housing and Finish	Painted	Painted
<b>Environment</b>		
Ambient Temperature	-40°F to 150°F*	-40°F to 150°F*
Humidity Rating	Damp OK, no direct water spray	Damp OK, no direct water spray
Fixture Type	Open or enclosed	Open or enclosed
<b>Installation</b>		
Socket Type	Fits horizontal mount mogul base (E39/EX39) MH socket	Fits horizontal mount mogul base (E39/EX39) MH socket
Ballast Types Supported	M59, M128, M135, M155	M131, M132
<b>Certifications &amp; Qualifications</b>		
UL	Recognized, US & CAN	Recognized, US & CAN
RoHS Compliant	Contains no lead or mercury	Contains no lead or mercury
LM79, LM80, IES Files	Complete	Complete
<b>Warranty</b>		
Warranty	5 years	5 years

\* Thermal IQ is a proprietary Lunera technology which enables the Lunera MH LED Horizontal to operate reliably up to 150°F ambient by dimming itself at extreme temperatures based upon thermal characteristics of the fixture in which it has been installed.

\* Lamp dimming profiles subject to fixture type and environmental conditions. Contact Lunera for more detailed information.

## Product Specifications - Horizontal Mount Lamp - 250W / 175W Version

	Driven by 250W (M58) Ballast	Driven by 175W (M57) Ballast
<b>Illumination</b>		
Color Temperatures	3500K, 4000K, 5000K	3500K, 4000K, 5000K
Lumens	3500K: 7,500lm	3500K: 6,500lm
	4000K: 7,600lm	4000K: 6,600lm
	5000K: 8,100lm	5000K: 7,000lm
Color Consistency	Lunera TruColor proprietary process	Lunera TruColor proprietary process
Lumen Maintenance (L70)	50,000+ hours life	50,000+ hours life
<b>Electrical System</b>		
Input Voltage	Driven by magnetic MH ballast	Driven by magnetic MH ballast
Power Consumption	94W	72W
Lamp Wattage Replaced	250W	175W
<b>Physical</b>		
Dimensions (H x W)	9.4" x 8.3"	9.4" x 8.3"
Weight	2.5 lbs	2.5 lbs
Housing and Finish	Painted	Painted
<b>Environment</b>		
Ambient Temperature	-40°F to 150°F*	-40°F to 150°F*
Humidity Rating	Damp OK, no direct water spray	Damp OK, no direct water spray
Fixture Type	Open or enclosed	Open or enclosed
<b>Installation</b>		
Socket Type	Fits horizontal mount mogul base (E39/EX39) MH socket	Fits horizontal mount mogul base (E39/EX39) MH socket
Ballast Types Supported	M58, M80, M138	M57, M137
<b>Certifications &amp; Qualifications</b>		
UL	Recognized, US & CAN	Recognized, US & CAN
RoHS Compliant	Contains no lead or mercury	Contains no lead or mercury
LM79, LM80, IES Files	Complete	Complete
<b>Warranty</b>		
Warranty	5 years	5 years

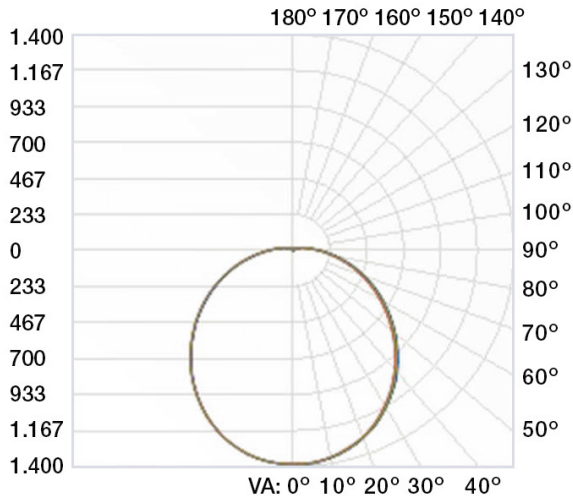
\* Thermal IQ is a proprietary Lunera technology which enables the Lunera MH LED Horizontal to operate reliably up to 150°F ambient by dimming itself at extreme temperatures based upon thermal characteristics of the fixture in which it has been installed.

\* Lamp dimming profiles subject to fixture type and environmental conditions. Contact Lunera for more detailed information.

## Photometry

Vertical lamp photometrics for the Lunera MH LED Horizontal E39 400W/320W or 250W/175W versions.  
LM-79 REPORT NO. 101930332LAX-021

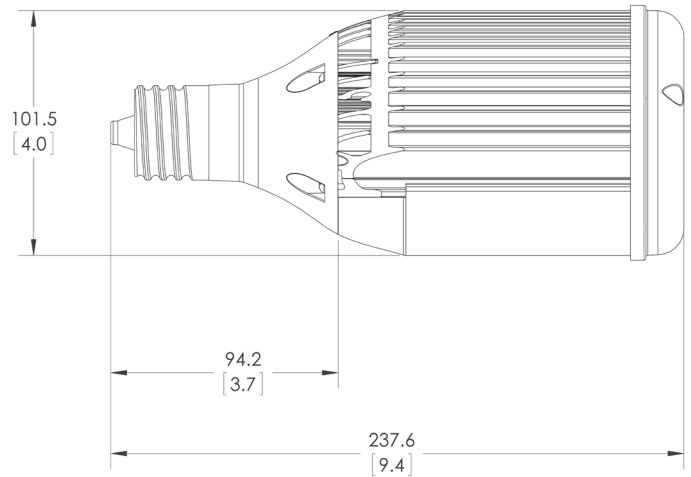
### Polar Candela Distribution



## Product Dimensions

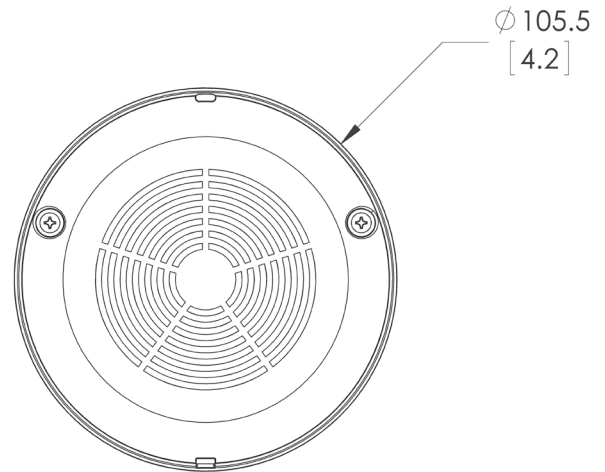
Measurements are rounded up. Dimensions are shown in millimeters. Please contact your Lunera representative for exact dimensions.

[400/320W] or [250W/175W]



## CAUTION

- These lamps are NOT approved for use with line voltage.



© 2015 Lunera Lighting, Inc. All Rights Reserved. Lunera and the Lunera logo are trademarks of Lunera Lighting, Inc. All other trademarks are the property of their respective owners.

Specifications are subject to change without notice. This document is for informational purposes only.