

LUNERA HPS LED E39 GEN2

LED Replacement for Horizontal High Pressure Sodium Lamps
400W / 310W / 250W / 200W E39 Mogul Base

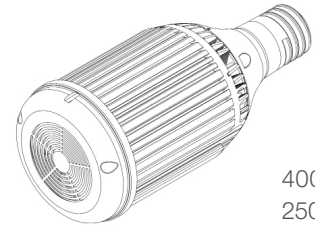
Description

The LUNERA HPS LED Lamp is a plug-and-play replacement for a High Pressure Sodium (HPS) lamp with an E39 mogul base. With a significantly lower energy consumption than conventional HPS lamps, this LED lamp replaces 400W, 310W, 250W or 200W HPS lamps.

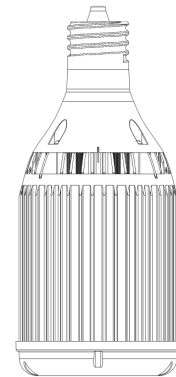
Lunera's BallastLED technology makes the lamp truly plug-and-play by allowing it to operate directly off of the existing ballast. Simply replace the existing HPS lamp with the Lunera HPS LED without making any modifications to the fixture.

The Lunera HPS LED has a rated life of 50,000 hours – 2 times longer than that of HPS lamps. This eliminates costly replacement cycles and reduces maintenance costs.

The Lunera HPS LED is available in a color temperature of 4000K. It delivers consistent light levels across its long life, which results in a high quality lighting experience.



400W/310W/
250W/175W



400W/310W/
250W/175W

Features

- Replaces 400W, 310W, 250W or 200W high pressure sodium (HPS) lamps
- Plug and Play installation, with existing installed magnetic ballasts
- Works in enclosed and open fixtures
- Ultra-low energy draw extends existing magnetic ballast life
- Up to 9,400 lumens fixture delivered light output
- 63W to 118W lamp power, yields 60% to 70% energy savings
- >80 CRI
- 50,000 hours to L70 lifespan
- CCT 4000K
- Thermal IQ to support ambient temperatures up to 150°F



Ordering Information

Example: LY-H-E39-MultiW-4000-G2

Series	Version	Socket Type	Lamp Wattage Replaced	CCT	Generation
LY: Lunera HPS LED	H: Horizontal	E39: Fits in mogul (E39) base HPS socket	400W-200W: Supports 400W, 310W, 250W or 200W ballasts	4000: 4000K	G2: 2nd Generation

PROJECT	CONTACT	MODEL NO.
REFERENCE NO.	QUANTITY	DATE

Product Specifications

	Driven by 400W (S51) Ballast	Driven by 310W (S67) Ballast	Driven by 250W (S50) Ballast	Driven by 200W (S66) Ballast
Illumination				
Color Temperatures	4000K	4000K	4000K	4000K
Lumens	9,400lm	8,200lm	6,800lm	5,700lm
Color Consistency	Lunera TruColor proprietary process	Lunera TruColor proprietary process	Lunera TruColor proprietary process	Lunera TruColor proprietary process
Lumen Maintenance (L85)	50,000+ hours life	50,000+ hours life	50,000+ hours life	50,000 - hours life
Electrical System				
Input Voltage	Magnetic HPS ballast	Magnetic HPS ballast	Magnetic HPS ballast	Magnetic HPS ballast
Power Consumption	118W	105W	83W	63W
Lamp Wattage Replaced	400W	310W	250W	200W
Physical				
Dimensions (H x W)	9.4"X4.2"	9.4"X4.2"	9.4"X4.2"	9.4"X4.2"
Weight	2.5 lbs	2.5 lbs	2.5 lbs	2.5 lbs
Housing and Finish	Painted	Painted	Painted	Painted
Environment				
Ambient Temperature	-40°F to 150°F*	-40°F to 150°F*	-40°F to 150°F*	-40°F to 150°F*
Humidity rating	Damp OK, no direct water spray	Damp OK, no direct water spray	Damp OK, no direct water spray	Damp OK, no direct water spray
Fixture Type	Open or enclosed	Open or enclosed	Open or enclosed	Open or enclosed
Installation				
Socket Type	Horizontal mount mogul base (E39/EX39) HPS socket	Horizontal mount mogul base (E39/EX39) HPS socket	Horizontal mount mogul base (E39/EX39) HPS socket	Horizontal mount mogul base (E39/EX39) HPS socket
Ballast Types Supported	S51	S67	S50	S66
Certifications & Qualifications				
UL	Recognized US, CAN	Recognized US, CAN	Recognized US, CAN	Recognized US, CAN
RoHS Compliant	No lead or mercury	No lead or mercury	No lead or mercury	No lead or mercury
LM79, LM80, IES Files	Complete	Complete	Complete	Complete
Warranty				
Warranty	5 years	5 years	5 years	5 years

*Thermal IQ is a proprietary Lunera technology which enables the Lunera HPS LED to operate reliably up to 150°F ambient by dimming itself at extreme temperatures based upon thermal characteristics of the fixture in which it has been installed.

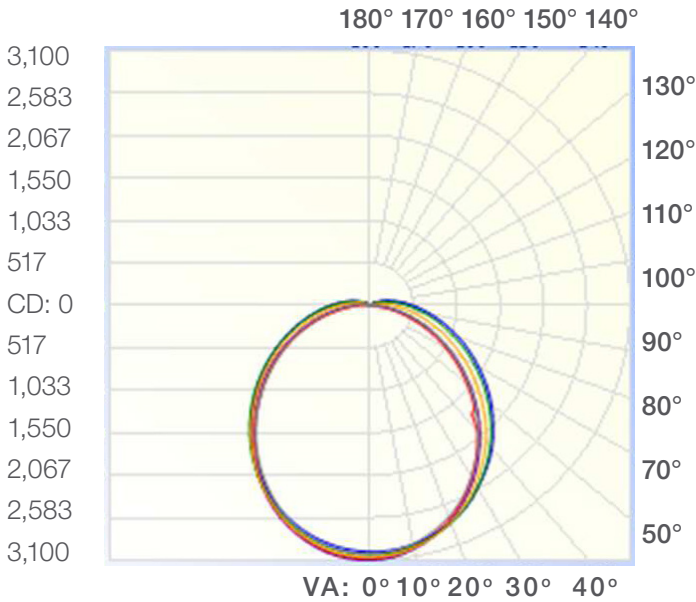
* Lamp dimming profiles subject to fixture type and environmental condition. Contact Lunera for more detailed information.

Photometry

Vertical lamp photometrics for the Lunera HPS LED E39 400W.

LM-79 REPORT NO. 101930332LAX-063

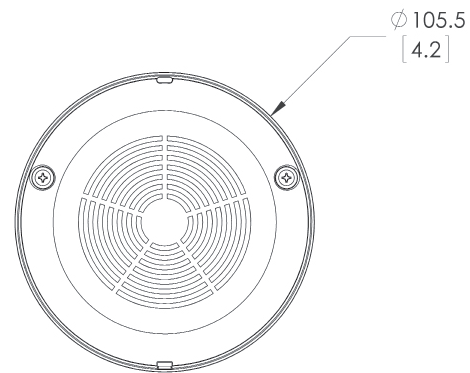
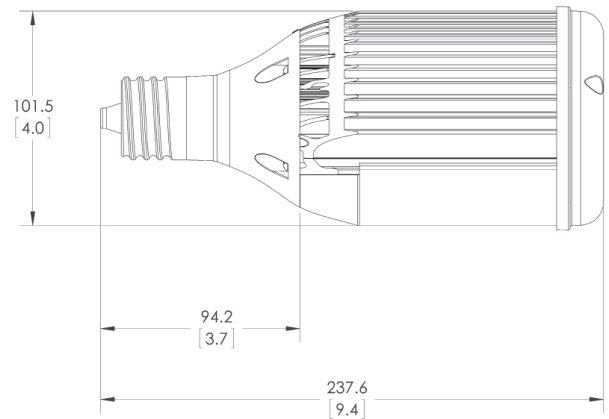
Polar Candela Distribution



Product Dimensions

Measurements are rounded up. Dimensions are shown in mm and [inches]. Please contact your Lunera representative for exact dimensions.

400W / 310W / 250W / 200W



CAUTION

This lamp is NOT approved for use in line voltage.

© 2016 Lunera Lighting, Inc. All Rights Reserved. Lunera and the Lunera logo are registered trademarks; of Lunera Lighting, Inc. All other trademarks are the property of their respective owners.

Specifications are subject to change without notice. This document is for informational purposes only.