

**4" & 6" LED DOWNLIGHT
RETROFIT FIXTURE**
RR-U SERIES



PRODUCT DESCRIPTION:

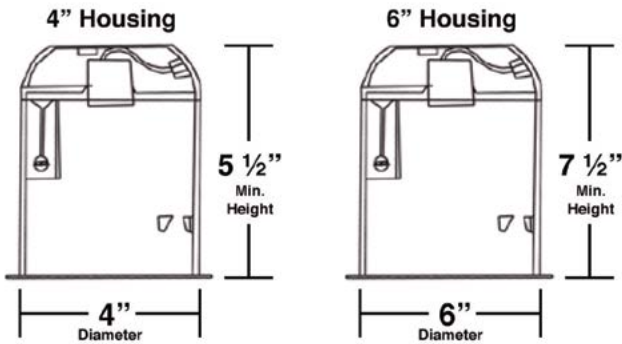
The Retrofit LED module with an optional E26 medium screw base, has been classified for use with most housings on the market, including IC/airtight and non-IC incandescent recessed housings. Constructed with high-efficacy LEDs with an integrated driver, the retrofit kits feature an optical diffuser that produces high lumen transmission and even illumination. The fixtures are suitable for damp locations.

FEATURES:

- 120-277V universal power supply
- High lumen transmission and diffusing for even illumination
- White finish standard
- 10-100% Triac dimmable at 120V only
- Suitable for damp locations
- Supplied with E26 base adapter
- L70 lumen maintenance of 50,000 hours

CONSTRUCTION:

- Durable die-casting aluminum heat sink with integrated trim in one piece
- Module construction includes LEDs, heat sink, lens and baffle trim
- Impact-resistant plastic lens
- Fits most recessed cans with torsion spring ('C' Shaped) brackets



DIMMERS	
BRAND	MODEL
Lutron	AYLV-600P
	DV-600P
	TG-600PH
	S-600PR-WH
Leviton	IPL06

MODEL SELECTION (Full list of order codes on pg. 3)

Typical order example: RR-613U-30W

RR	-			U	-		W
FAMILY	-	SIZE	WATTAGE	VOLTAGE	-	CTT	TRIM COLOR
RR= Residential Retrofit	-	4= 4" 6= 6"	09= 9W 13= 13W	U= 120-277V	-	30= 3000K 40= 4000K 50= 5000K	W= White

SPECIFICATIONS:

ITEM	SPECIFICATION	RR-409U-30W	RR-409U-40W	RR-409U-50W	RR-613U-30W	RR-613U-40W	RR-613U-50W
		DETAILS					
GENERAL PERFORMANCE	Power Consumption* (W)	8.0	8.4	8.8	11.5	12.0	12.6
	Lumens Delivered* (lm)	680	720	760	1,110	1,180	1,250
	Efficacy* (lm/W)	85	86	86	97	98	99
	CRI	≥80					
	Color Temperature (K)	3000, 4000, 5000 (Additional CCT available, contact MaxLite for info.)					
	L70 Lifetime (hours)	50,000					
	Color Consistency	Proprietary binning for uniform color					
ELECTRICAL	Power Factor	0.99					
	Input Voltage	120-277V					
	Compatible Dimmers	Triac dimmable					
PHYSICAL	Weight	2 lbs					
	Mounting	Mounts into existing recessed frame					
	Operating Temperature	-4°F to 104°F					
	Humidity	20-85% RH, non-condensing					
CERTIFICATION	Certification	cULus, LM-79, Energy Star, FCC					
	Material Usage	RoHS compliant; no mercury					
	Environment	Indoor					
	Warranty	5 years					

*Calculated based on 2700K photometric report

ORDERING:*

ORDER CODE	MODEL NUMBER	CCT	WATTAGE	VOLTAGE
102382	RR-409U-30W	3000K	9W	120 - 277V
107285	RR-409U-40W	4000K		
107287	RR-409U-50W	5000K		
102383	RR-613U-30W	3000K	13W	
107286	RR-613U-40W	4000K		
107288	RR-613U-50W	5000K		

*Please contact your MaxLite representative to order products that don't have order codes listed here.